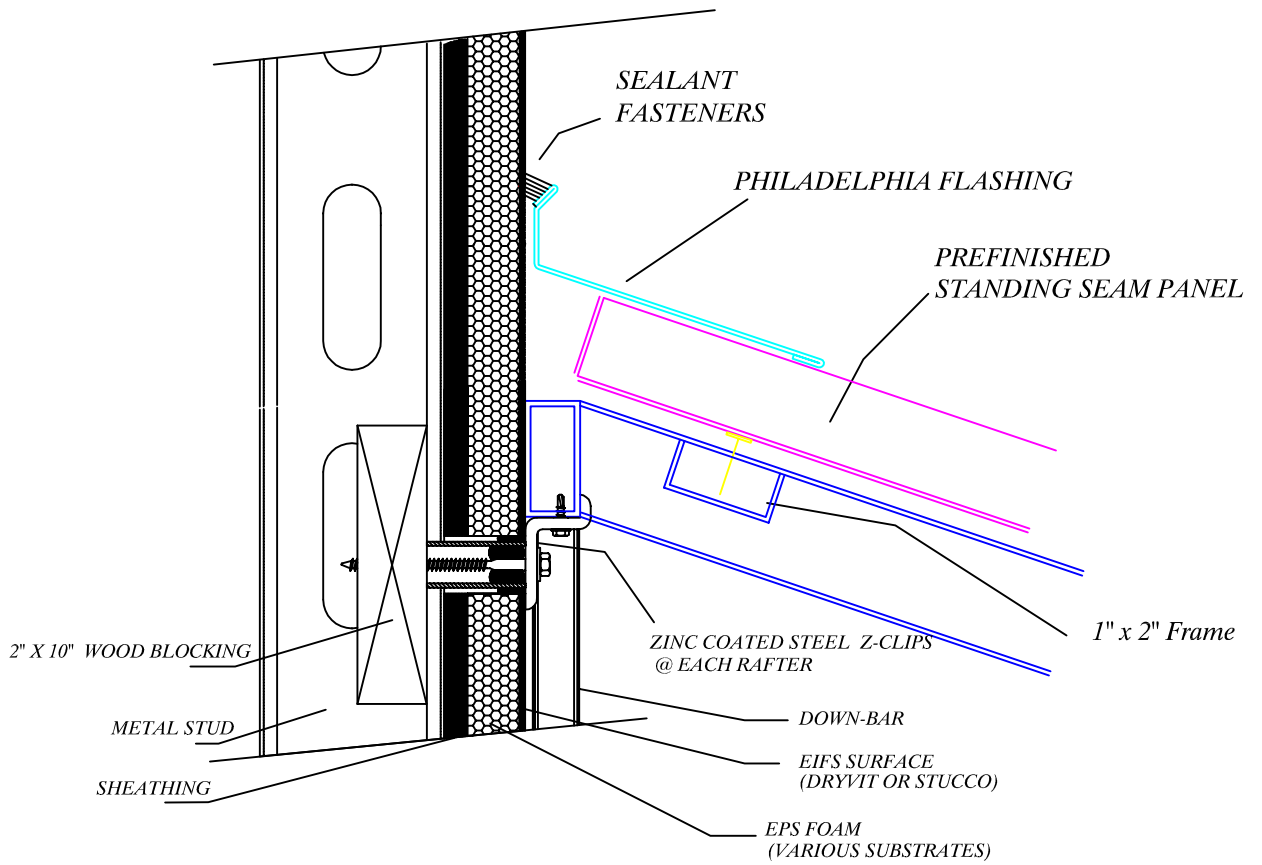


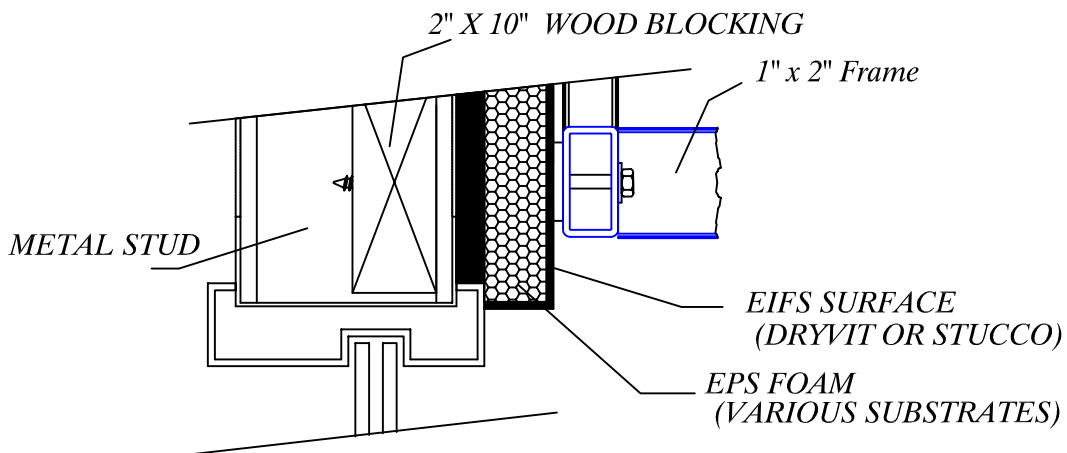
# Standing Seam Awning typical attachment detail

DRYVIT/ EFIS/ STUCCO

## Top connections



## Bottom connections



Commercial-Residential (901) 368-4477  
4834 Hickory Hill fax 368-1798  
Memphis, TN

