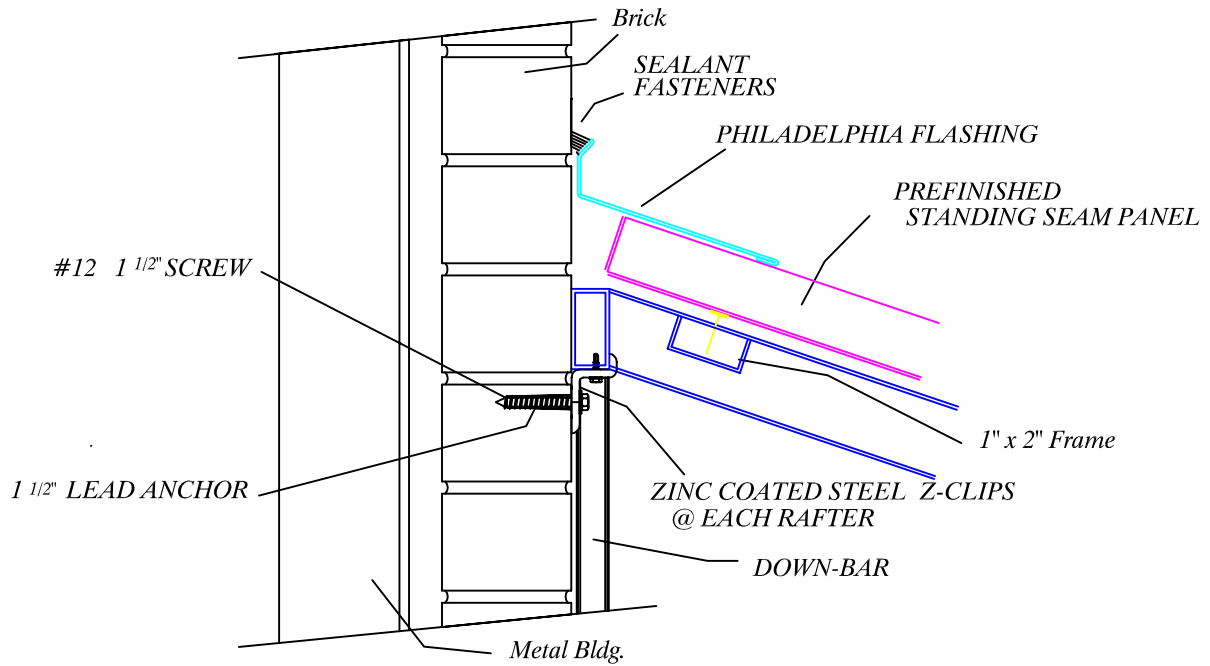


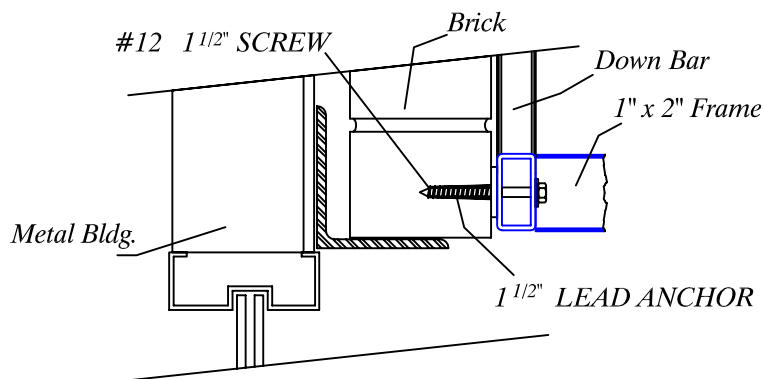
Standing Seam Awning typical attachment detail

Brick/Concrete/Block

Top connections



Bottom connections



Commercial-Residential (901) 368-4477
4834 Hickory Hill fax 368-1798
Memphis, TN

